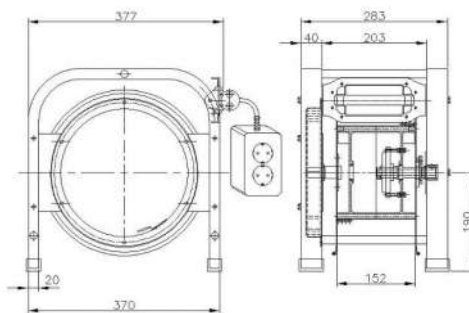


## EER Type

- Use : All sorts of electrical work places(Service center, Factories, Laboratory)
- Features : Steel package type, Hanger bracket included
- Installation : Wall, Ceiling(Within 3M height, If installed over 4M, it could not rewind.)

| Model    | Cable                         |       | Maximum Capacity Max (V×A) | Weight (kg) | Remark     |
|----------|-------------------------------|-------|----------------------------|-------------|------------|
|          | Cable Specifications          | L (M) |                            |             |            |
| EER-210  | VCTF-1.5 SQ×3C, Outlet        | 10    | 220V×10A                   | 12          | For Indoor |
| EER-215  | VCTF-1.5 SQ×3C, Outlet        | 15    | 220V×10A                   | 12          | For Indoor |
| EER-220  | VCTF-1.5 SQ×3C, Outlet        | 20    | 220V×10A                   | 14          | For Indoor |
| EER-310  | VCTF-2.5 SQ×3C, Outlet        | 10    | 220V×15A                   | 12          | For Indoor |
| EER-315  | VCTF-2.5 SQ×3C, Outlet        | 15    | 220V×15A                   | 14          | For Indoor |
| EER-210L | VCTF-1.5 SQ×3C, Halogen Light | 10    | 220V×10A                   | 12          | For Indoor |
| EER-215L | VCTF-1.5 SQ×3C, Halogen Light | 15    | 220V×10A                   | 12          | For Indoor |
| EER-220L | VCTF-1.5 SQ×3C, Halogen Light | 20    | 220V×10A                   | 14          | For Indoor |



## ALE-B Type

- Use : Moving work places (Construction site, Industrial site, Laboratory)
- Features : Automatic rewind, Solid frame, Light weight
- Installation : Portable

| Model    | Cable                  |       | Maximum Capacity Max (V×A) | Weight (kg) | Remark     |
|----------|------------------------|-------|----------------------------|-------------|------------|
|          | Cable Specifications   | L (M) |                            |             |            |
| ALE-220B | VCTF-1.5 SQ×3C, Outlet | 20    | 220V×10A                   | 17          | For Indoor |
| ALE-230B | VCTF-1.5 SQ×3C, Outlet | 30    | 220V×10A                   | 18          | For Indoor |
| ALE-320B | VCTF-2.5 SQ×3C, Outlet | 20    | 220V×15A                   | 20          | For Indoor |
| ALE-330B | VCTF-2.5 SQ×3C, Outlet | 30    | 220V×15A                   | 22          | For Indoor |