

Single Phase Induction Motor (Cradle Base Type)

SHINMYUNG ELECTRIC CO., LTD.

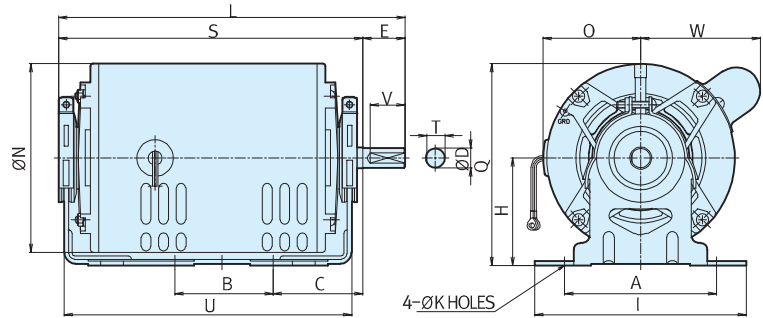


Fig 1

FRAME No.	OUTPUT		FIG	DIMENSION(mm)															KEY SIZE			BEARING		WEIGHT (Kg)	
	POLE	kW		L	S	A	B	C	D	E	H	Q	I	K	O	W	N	U	T	F	G	V	LOAD		UN-LOAD
48	4	0.2	I	246	216	107.7	69.85	63.5	14h6	30	76.2	143.2	150	9	69	85	134	204	13	-	-	25	6202zz	6202zz	7
48	4	0.25	I	246	216	107.7	69.85	63.5	14h6	30	76.2	143.2	150	9	69	85	134	204	13	-	-	25	6202zz	6202zz	9
56	4	0.4	II	301	261	124	76.2	70	19j6	40	94	176.3	165	10	84	97	165	248	15.5	6	6	30	6204zz	6203zz	12
56	4	0.55	II	301	261	124	76.2	70	19j6	40	94	176.3	165	10	84	97	165	248	15.5	6	6	30	6204zz	6203zz	14
56	4	0.75	II	301	261	124	76.2	70	19j6	40	94	176.3	165	10	84	97	165	248	15.5	6	6	30	6204zz	6203zz	16

Single Phase Induction Motor (Agricultural Dryer & Fan Type)

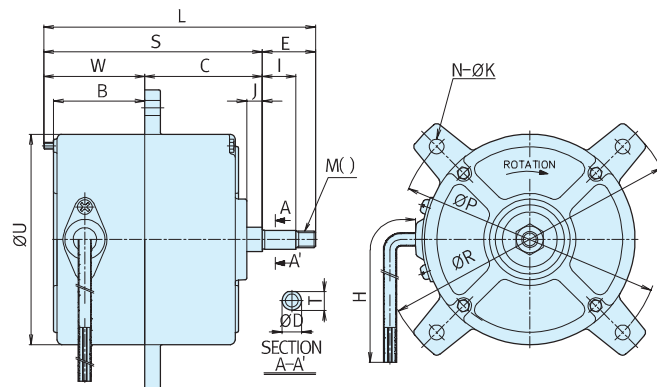


Fig 1

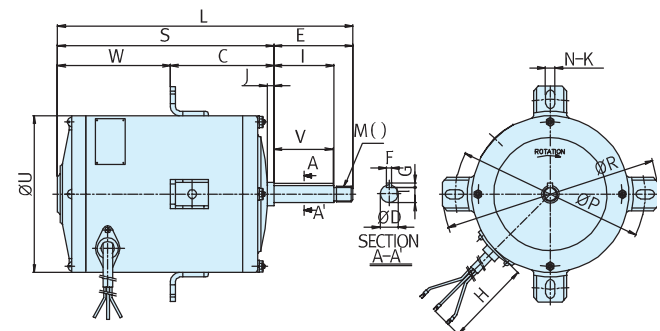


Fig 2

FRAME No.	OUTPUT		FIG	DIMENSION(mm)															KEY SIZE			BEARING		WEIGHT (Kg)	
	POLE	kW		L	S	E	C	W	B	J	M	U	D	H	N	K	P	R	T	F	G	V	LOAD		UN-LOAD
71M	4	0.25	I	165.4	133	32.4	71.5	61.5	55.5	9.5	10(Left)	128	12	1100	4	9	160	182	11.5	-	-	-	6202zz	6202zz	5
.	4	0.75																							
.	4	1.01																							
.	4	1.1																							
.	4	1.35																							
.	4	1.5																							
.	4	2.2																							

For order production of the above-mentioned size-information requests expected

► External appearance and size can be changed without an advance notice to improve product performance.