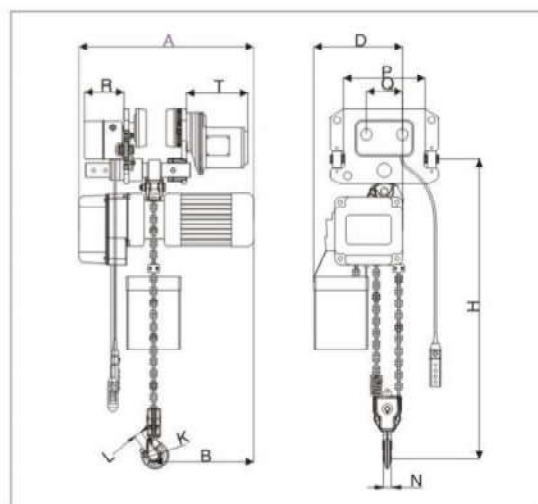




02-02



Hoist with the Electric trolley

● Technical Parameters

Type	Capacity (Ton)	Lifting Height (m)	Lifting Speed (m/min)	Lifting motor					Operating motor					I-Beam (mm)	
				Power (kw)	Rotation Speed(r/min)	Phases	Voltage(V)	Frequency (Hz/s)	Power (kw)	Rotation Speed(r/min)	Operating speed(m/min)	Phases	Voltage(V)		Frequency (Hz/s)
CH-2-2	2	3/9	3.6	1.5	1440	3	220-440	50/60	0.4	1440	10/20	3	220/440	50/60	82-178

● Size specification

Type	Capacity (Ton)	Unit(mm)											Price
		H	A	B	D	E	K	L	N	T	P	O	
CH-2-2	2	600	595	320	300	245	Φ49	35	30	231	237	127	14,960,000