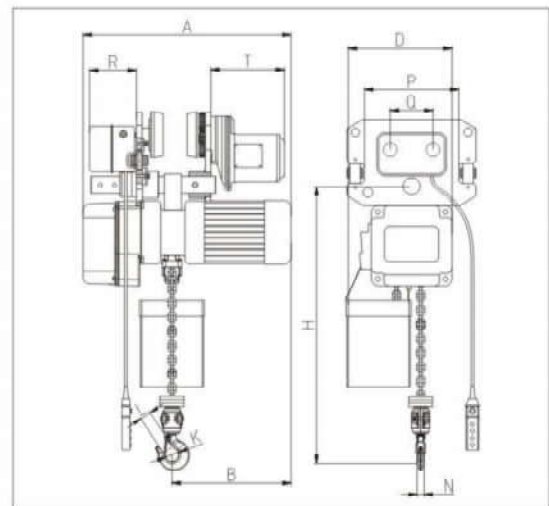


# Electronic Chain Hoist



03-01



## Hoist with the Electric trolley

### Technical Parameters

Type	Capacity (Ton)	Lifting Height (m)	Lifting Speed (m/min)	Lifting motor					Operating motor					I-Beam (mm)	
				Power (kw)	Rotation Speed(r/min)	Phases	Voltage(V)	Frequency (Hz/s)	Power (kw)	Rotation Speed(r/min)	Operating speed(m/min)	Phases	Voltage(V)		Frequency (Hz/s)
CH-3-1	3	3/9	5.4	3.0	1440	3	220-440	50/60	0.4	1440	10/12	3	220-440	50/60	100-180

### Size specification

Type	Capacity (Ton)	Unit(mm)												Price
		H	A	B	D	J	K	L	N	R	T	P	Q	
CH-3-1	3	650	785	395	465	Φ43	Φ59	42	35	142	231	265	140	20,745,000